

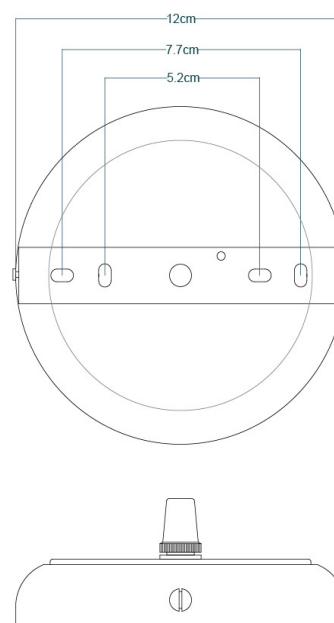
PRAIA Chandelier

MLF177PCBLK Black



MATERIAL	Brass Steel
HEIGHT	20cm 7.87"
WIDTH DIAMETER	10cm 3.94"
LENGTH PROJECTION	n/a
WEIGHT	4.7KG 10.36lbs
LAMPHOLDER	E27 x 5
MAX WATTAGE	60W x 5
VOLTAGE	220/240v
IP RATING	20
CLASS PROTECTION	I
SHADE	-
FLEX BAR CHAIN LENGTH	200cm 80"
CABLE TYPE	MLCA020 3 Core Twist Black Braid PVC

Fixing Bracket MLROSE21 | Black

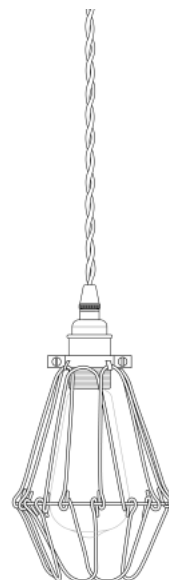


Product Notes:
 1) Lamps not included with light fixture. 2) All products are individually hand crafted, therefore may differ slightly within manufacturing tolerances. 3) Please refer to: <http://www.mullanlighting.com/terms> for full list of Terms & Conditions. 4) Cable/Chain can be shortened during installation. 5) Longer Cable/Chain available on request. 6) Additional colour finishes available on request. 7.) Dimensions do not include lamps. 8.) Products wired to UL standards will operate at 110/120v with the appropriate lampholders.



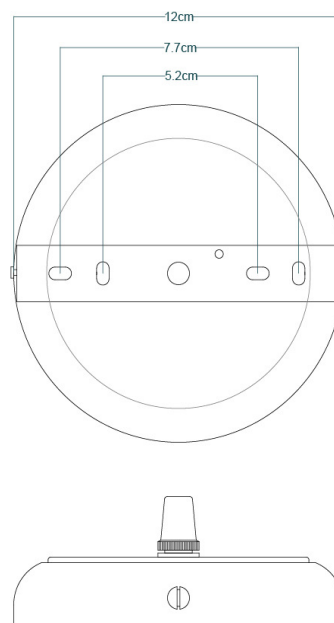
PRAIA Chandelier

MLF177PCBRZ Bronze



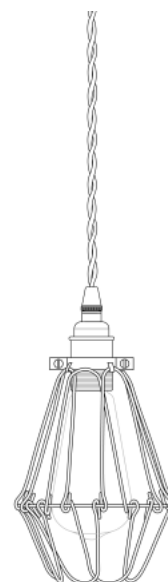
MATERIAL	Brass Steel
HEIGHT	20cm 7.87"
WIDTH DIAMETER	10cm 3.94"
LENGTH PROJECTION	n/a
WEIGHT	4.7KG 10.36lbs
LAMPHOLDER	E27 x 5
MAX WATTAGE	60W x 5
VOLTAGE	220/240v
IP RATING	20
CLASS PROTECTION	I
SHADE	-
FLEX BAR CHAIN LENGTH	200cm 80"
CABLE TYPE	MLCA007 3 Core Twist Brown Braid PVC

Fixing Bracket MLROSE21 | Antique Brass



Product Notes:

1) Lamps not included with light fixture. 2) All products are individually hand crafted, therefore may differ slightly within manufacturing tolerances. 3) Please refer to: <http://www.mullanlighting.com/terms> for full list of Terms & Conditions. 4) Cable/Chain can be shortened during installation. 5) Longer Cable/Chain available on request. 6) Additional colour finishes available on request. 7.) Dimensions do not include lamps. 8.) Products wired to UL standards will operate at 110/120v with the appropriate lampholders.



MATERIAL	Brass Steel
HEIGHT	20cm 7.87"
WIDTH DIAMETER	10cm 3.94"
LENGTH PROJECTION	n/a
WEIGHT	4.7KG 10.36lbs
LAMPHOLDER	E27 x 5
MAX WATTAGE	60W x 5
VOLTAGE	220/240v
IP RATING	20
CLASS PROTECTION	I
SHADE	-
FLEX BAR CHAIN LENGTH	200cm 80"
CABLE TYPE	MLCA020 3 Core Twist Black Braid PVC

Fixing Bracket MLROSE21 | Polished Brass

