

# ECLIPSE Ceiling Light

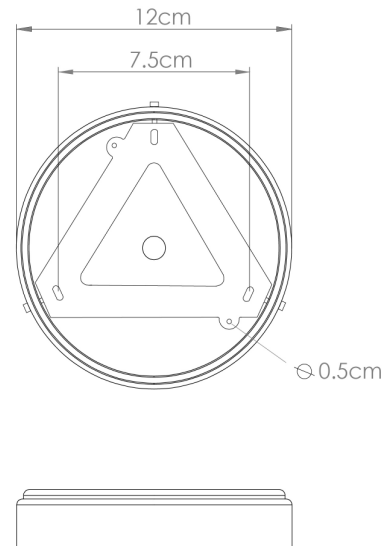
MLCF129ANTBRS    Antique Brass



MATERIAL	Brass   Glass
HEIGHT	20cm   7.87"
WIDTH   DIAMETER	20cm   7.87"
LENGTH   PROJECTION	15.5cm   6.1"
WEIGHT	1.4KG   3.09lbs
LAMP HOLDER	E27 or E26 *
MAX WATTAGE	40W x 1
VOLTAGE	220/240v or 110/120v *
IP RATING	20
CLASS PROTECTION	I
SHADE CODE	GL096
CABLE   CHAIN   BAR LENGT	n/a
CABLE TYPE	-

**Fixing Bracket MLWB17**

\* Fixing bracket may differ for UL wired products.



**Product Notes:**

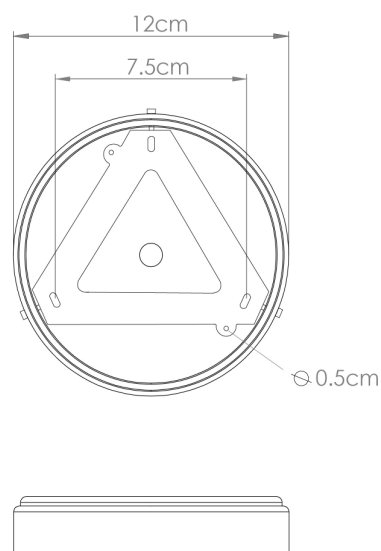
1) Bulbs not included. 2) Dimensions do not include bulbs. 3) All products are individually made-to-order and therefore may differ slightly within manufacturing tolerances. 4) Cable / chain can be shortened during installation. Longer cable / chain lengths available on request. 5) Additional colour finishes may be available on request. 6) UL wired products operate at 110/120v with the appropriate lamp holder. 7) Twisted cable is not available for UL wired products. Round cable in black or brown only is supplied instead. 8) Refer to our website for a full list of terms and conditions.



MATERIAL	Brass   Glass
HEIGHT	20cm   7.87"
WIDTH   DIAMETER	20cm   7.87"
LENGTH   PROJECTION	15.5cm   6.1"
WEIGHT	1.4KG   3.09lbs
LAMP HOLDER	E27 or E26 *
MAX WATTAGE	40W x 1
VOLTAGE	220/240v or 110/120v *
IP RATING	20
CLASS PROTECTION	I
SHADE CODE	GL096
CABLE   CHAIN   BAR LENGT	n/a
CABLE TYPE	-

**Fixing Bracket MLWB17**

\* Fixing bracket may differ for UL wired products.



**Product Notes:**

1) Bulbs not included. 2) Dimensions do not include bulbs. 3) All products are individually made-to-order and therefore may differ slightly within manufacturing tolerances. 4) Cable / chain can be shortened during installation. Longer cable / chain lengths available on request. 5) Additional colour finishes may be available on request. 6) UL wired products operate at 110/120v with the appropriate lamp holder. 7) Twisted cable is not available for UL wired products. Round cable in black or brown only is supplied instead. 8) Refer to our website for a full list of terms and conditions.

# ECLIPSE Ceiling Light

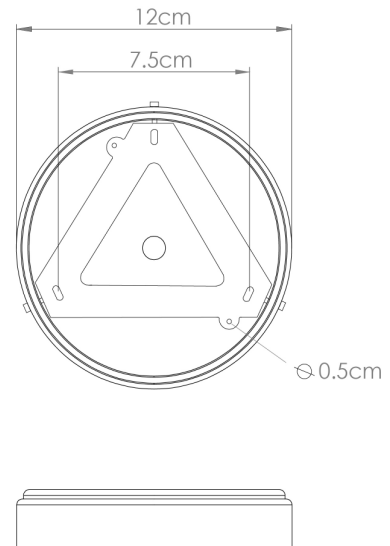
MLCF129PCMBK Matt Black



MATERIAL	Brass   Glass
HEIGHT	20cm   7.87"
WIDTH   DIAMETER	20cm   7.87"
LENGTH   PROJECTION	15.5cm   6.1"
WEIGHT	1.4KG   3.09lbs
LAMP HOLDER	E27 or E26 *
MAX WATTAGE	40W x 1
VOLTAGE	220/240v or 110/120v *
IP RATING	20
CLASS PROTECTION	I
SHADE CODE	GL096
CABLE   CHAIN   BAR LENGT	n/a
CABLE TYPE	-

### Fixing Bracket MLWB17

\* Fixing bracket may differ for UL wired products.



#### Product Notes:

1) Bulbs not included. 2) Dimensions do not include bulbs. 3) All products are individually made-to-order and therefore may differ slightly within manufacturing tolerances. 4) Cable / chain can be shortened during installation. Longer cable / chain lengths available on request. 5) Additional colour finishes may be available on request. 6) UL wired products operate at 110/120v with the appropriate lamp holder. 7) Twisted cable is not available for UL wired products. Round cable in black or brown only is supplied instead. 8) Refer to our website for a full list of terms and conditions.

# ECLIPSE Ceiling Light

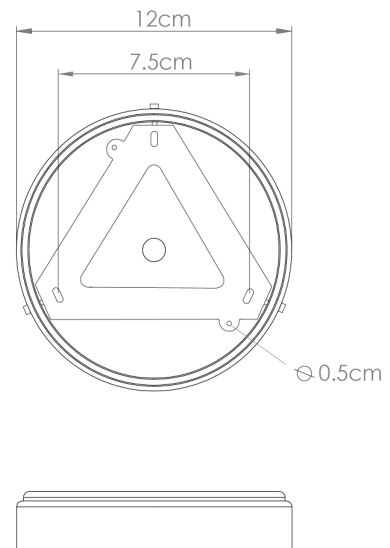
MLCF129POLBRS Polished Brass



MATERIAL	Brass   Glass
HEIGHT	20cm   7.87"
WIDTH   DIAMETER	20cm   7.87"
LENGTH   PROJECTION	15.5cm   6.1"
WEIGHT	1.4KG   3.09lbs
LAMP HOLDER	E27 or E26 *
MAX WATTAGE	40W x 1
VOLTAGE	220/240v or 110/120v *
IP RATING	20
CLASS PROTECTION	I
SHADE CODE	GL096
CABLE   CHAIN   BAR LENGT	n/a
CABLE TYPE	-

**Fixing Bracket MLWB17**

\* Fixing bracket may differ for UL wired products.



**Product Notes:**

1) Bulbs not included. 2) Dimensions do not include bulbs. 3) All products are individually made-to-order and therefore may differ slightly within manufacturing tolerances. 4) Cable / chain can be shortened during installation. Longer cable / chain lengths available on request. 5) Additional colour finishes may be available on request. 6) UL wired products operate at 110/120v with the appropriate lamp holder. 7) Twisted cable is not available for UL wired products. Round cable in black or brown only is supplied instead. 8) Refer to our website for a full list of terms and conditions.

# ECLIPSE Ceiling Light

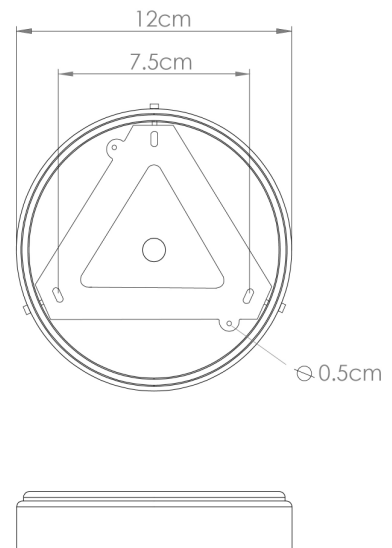
MLCF129SATBRS Satin Brass



MATERIAL	Brass   Glass
HEIGHT	20cm   7.87"
WIDTH   DIAMETER	20cm   7.87"
LENGTH   PROJECTION	15.5cm   6.1"
WEIGHT	1.4KG   3.09lbs
LAMP HOLDER	E27 or E26 *
MAX WATTAGE	40W x 1
VOLTAGE	220/240v or 110/120v *
IP RATING	20
CLASS PROTECTION	I
SHADE CODE	GL096
CABLE   CHAIN   BAR LENGT	n/a
CABLE TYPE	-

**Fixing Bracket MLWB17**

\* Fixing bracket may differ for UL wired products.



**Product Notes:**

1) Bulbs not included. 2) Dimensions do not include bulbs. 3) All products are individually made-to-order and therefore may differ slightly within manufacturing tolerances. 4) Cable / chain can be shortened during installation. Longer cable / chain lengths available on request. 5) Additional colour finishes may be available on request. 6) UL wired products operate at 110/120v with the appropriate lamp holder. 7) Twisted cable is not available for UL wired products. Round cable in black or brown only is supplied instead. 8) Refer to our website for a full list of terms and conditions.