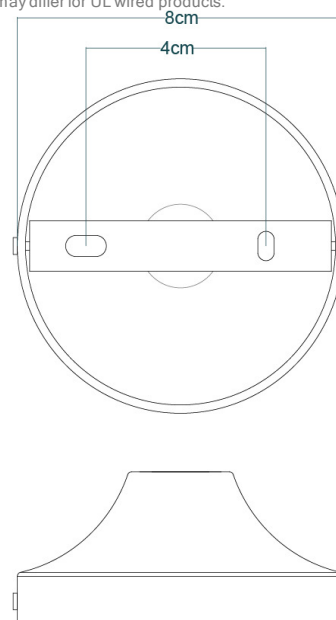




MATERIAL	Brass
HEIGHT	30cm   11.81"
WIDTH   DIAMETER	26.5cm   10.43"
LENGTH   PROJECTION	35cm   13.78"
WEIGHT	1.5KG   3.31lbs
LAMP HOLDER	E27 or E26 *
MAX WATTAGE	40W x 1
VOLTAGE	220/240v or 110/120v *
IP RATING	20
CLASS PROTECTION	I
SHADE CODE	-
CABLE   CHAIN   BAR LENGT	n/a
CABLE TYPE	-

### Fixing Bracket MLWB03

\* Fixing bracket may differ for UL wired products.



#### Product Notes:

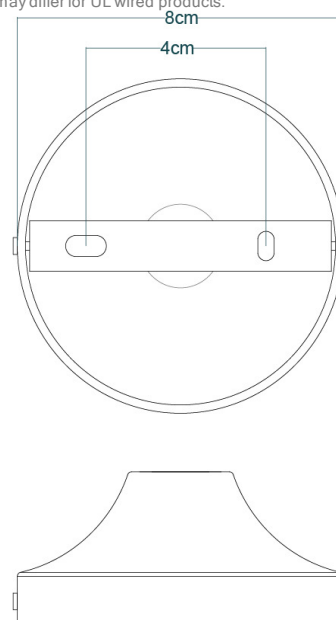
1) Bulbs not included. 2) Dimensions do not include bulbs. 3) All products are individually made-to-order and therefore may differ slightly within manufacturing tolerances. 4) Cable / chain can be shortened during installation. Longer cable / chain lengths available on request. 5) Additional colour finishes may be available on request. 6) UL wired products operate at 110/120v with the appropriate lamp holder. 7) Twisted cable is not available for UL wired products. Round cable in black or brown only is supplied instead. 8) Refer to our website for a full list of terms and conditions.



MATERIAL	Brass
HEIGHT	30cm   11.81"
WIDTH   DIAMETER	26.5cm   10.43"
LENGTH   PROJECTION	35cm   13.78"
WEIGHT	1.5KG   3.31lbs
LAMP HOLDER	E27 or E26 *
MAX WATTAGE	40W x 1
VOLTAGE	220/240v or 110/120v *
IP RATING	20
CLASS PROTECTION	I
SHADE CODE	-
CABLE   CHAIN   BAR LENGT	n/a
CABLE TYPE	-

**Fixing Bracket MLWB03**

\* Fixing bracket may differ for UL wired products.


**Product Notes:**

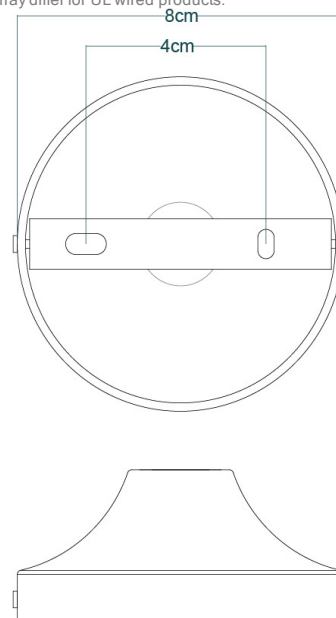
1) Bulbs not included. 2) Dimensions do not include bulbs. 3) All products are individually made-to-order and therefore may differ slightly within manufacturing tolerances. 4) Cable / chain can be shortened during installation. Longer cable / chain lengths available on request. 5) Additional colour finishes may be available on request. 6) UL wired products operate at 110/120v with the appropriate lamp holder. 7) Twisted cable is not available for UL wired products. Round cable in black or brown only is supplied instead. 8) Refer to our website for a full list of terms and conditions.



MATERIAL	Brass
HEIGHT	30cm   11.81"
WIDTH   DIAMETER	26.5cm   10.43"
LENGTH   PROJECTION	35cm   13.78"
WEIGHT	1.5KG   3.31lbs
LAMP HOLDER	E27 or E26 *
MAX WATTAGE	40W x 1
VOLTAGE	220/240v or 110/120v *
IP RATING	20
CLASS PROTECTION	I
SHADE CODE	-
CABLE   CHAIN   BAR LENGT	n/a
CABLE TYPE	-

**Fixing Bracket MLWB03**

\* Fixing bracket may differ for UL wired products.


**Product Notes:**

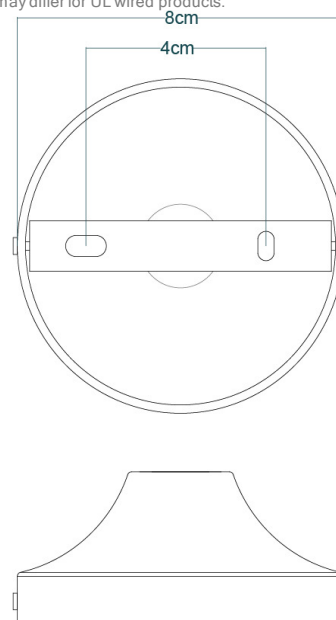
1) Bulbs not included. 2) Dimensions do not include bulbs. 3) All products are individually made-to-order and therefore may differ slightly within manufacturing tolerances. 4) Cable / chain can be shortened during installation. Longer cable / chain lengths available on request. 5) Additional colour finishes may be available on request. 6) UL wired products operate at 110/120v with the appropriate lamp holder. 7) Twisted cable is not available for UL wired products. Round cable in black or brown only is supplied instead. 8) Refer to our website for a full list of terms and conditions.



MATERIAL	Brass
HEIGHT	30cm   11.81"
WIDTH   DIAMETER	26.5cm   10.43"
LENGTH   PROJECTION	35cm   13.78"
WEIGHT	1.5KG   3.31lbs
LAMP HOLDER	E27 or E26 *
MAX WATTAGE	40W x 1
VOLTAGE	220/240v or 110/120v *
IP RATING	20
CLASS PROTECTION	I
SHADE CODE	-
CABLE   CHAIN   BAR LENGT	n/a
CABLE TYPE	-

**Fixing Bracket MLWB03**

\* Fixing bracket may differ for UL wired products.


**Product Notes:**

1) Bulbs not included. 2) Dimensions do not include bulbs. 3) All products are individually made-to-order and therefore may differ slightly within manufacturing tolerances. 4) Cable / chain can be shortened during installation. Longer cable / chain lengths available on request. 5) Additional colour finishes may be available on request. 6) UL wired products operate at 110/120v with the appropriate lamp holder. 7) Twisted cable is not available for UL wired products. Round cable in black or brown only is supplied instead. 8) Refer to our website for a full list of terms and conditions.